

# DataCom 2-Post Open Frame Rack



(Shown with accessories)

### Application

The DataCom 2-Post Open Frame Rack is a key element in a structured cabling system. With models sized to fit either 19" or 23" equipment, this floor mounted unit is particularly well suited for networking and data transmission applications. A broad selection of matching accessory shelves and cable management hardware lets you customize each rack to your specific requirements.

### Construction

- Frame is a strong and lightweight aluminum (6063-T6 alloy) extrusion
- Range of heights from 4' to 9' (24U to 58U) to match capacity requirements
- Side rails are tapped on both sides with 1/2-24UNC threads for quick installation
- EIA Universal 5/8" - 5/8" - 1/2" vertical mounting hole pattern matches industry standards and connects to most competitive racks for easy system expansion
- Full complement of matching components for equipment and cable management
- Packed unassembled in individual cartons; assembly hardware (including twenty 1/2-24 mounting screws) is furnished for convenient storage and installation
- Can be shipped via FedEx or UPS

### Finish

RAL 9005 black polyester powder paint or milled aluminum

### Load Rating

Do not exceed the following recommended load ratings.

Description	Suggested Load rating	
	Lbs	kg
Floor Mount Rack	1000	453.6
One-Sided Solid Shelf	150	68.0
Double-Sided Solid Shelf	300	136.1
One-Sided Vented Shelf	150	68.0
Double-Sided Vented Shelf	300	136.1
Adjustable Vented Shelf	60	27.2
Keyboard/Monitor Shelf	200	90.7

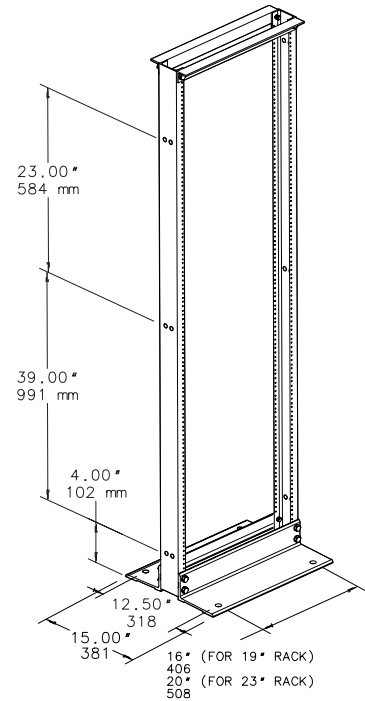
### Industry Standards

UL 1863 listed, File No. E230874  
cUL CSA22.2 No. 182.4, File No. E230874  
EIA 310-D

### Accessories

See the Accessories section for additional DataCom components.

- Adjustable Vented Shelf
- Cable Channel
- Cable Keepers
- Cable Organizers
- Cable Trough
- Double-Sided Solid Shelf
- Double-Sided Vented Shelf
- Joining Kit
- Mounting Screw Kit
- One-Sided Solid Shelf
- One-Sided Vented Shelf
- Panel Adapters



87557560

### Standard Sizes 19" Rack Mount (20.25 inches wide)

Catalog Number	Finish	Rack Units	Nominal Frame Height
EDR19FM24U	Black	24	4 feet
EDR19FM38U	Black	38	6 feet
EDR19FM45U	Black	45	7 feet
EVR19FM45U	Mill	45	7 feet
EDR19FM51U	Black	51	8 feet
EVR19FM51U	Mill	51	8 feet
EDR19FM58U	Black	58	9 feet
EVR19FM58U	Mill	58	9 feet

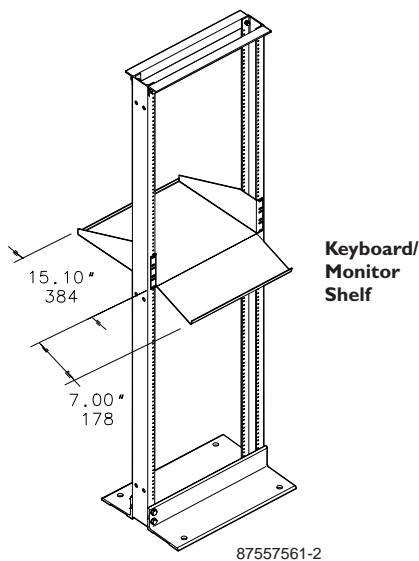
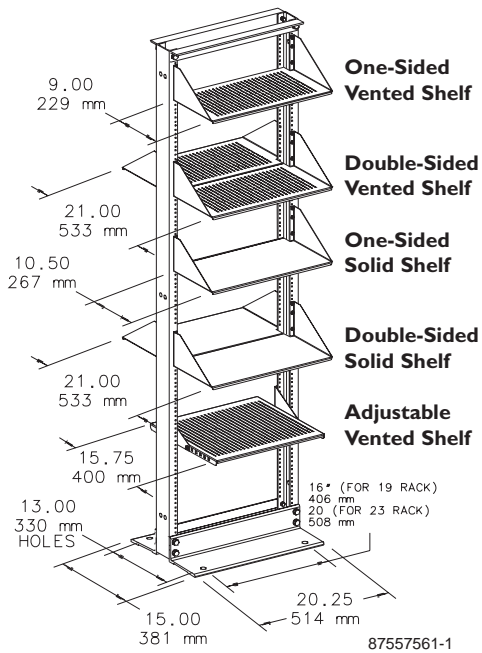
### Standard Sizes 23" Rack Mount (24.25 inches wide)

Catalog Number	Finish	Rack Units	Nominal Frame Height
EDR23FM24U	Black	24	4 feet
EDR23FM38U	Black	38	6 feet
EDR23FM45U	Black	45	7 feet
EVR23FM45U	Mill	45	7 feet
EDR23FM51U	Black	51	8 feet
EVR23FM51U	Mill	51	8 feet



**Accessories**

For accessory specifications, see the Accessories chapter.



Description	19 in. Accessories Catalog Number	23 in. Accessories Catalog Number
<b>Shelves</b>		
One-sided Vented Shelf - black painted steel	ESH19V	ESH23V
Double-sided Vented Shelf - black painted steel	ESHDV19	ESHDV23
One-sided Solid Shelf - black painted steel	ESH19S	ESH23S
Double-Sided Solid Shelf - black painted steel	ESHD19	ESHD23
Adjustable Shelf - black painted steel	ESHVA19	ESHVA23
Keyboard/Monitor Shelf - black painted steel	ESH19KBM	ESH23KBM
19" Single-sided Shelf - brushed aluminum	ESHA19	
19" Double-sided Shelf - brushed aluminum	ESHDA19	
19" Double-sided Heavy Duty Shelf - brushed aluminum	ESHDHA19	
19" Pull-out Keyboard Tray with Monitor Shelf - black painted steel	E19SKBM	
19" Pull-out Shelf for Mini Keyboard -black painted steel	P19KBSM	
19" Pivoting Keyboard Shelf with Mouse Tray - black painted steel	P19KBPVT	
Sliding Equipment Shelf	P19SHP68B	P23SHP68B
Sliding Equipment Shelf	P19SHP810B	P23SHP810B
<b>Cable Management</b>		
4 foot Vertical Cable Channel	ECC24U	
6 foot Vertical Cable Channel	ECC38U	
7 foot Vertical Cable Channel	ECC45U	
8 foot Vertical Cable Channel	ECC51U	
9 foot Vertical Cable Channel	ECC58U	
7-foot Double-sided Vertical Cable Channel - black painted steel	ECCDB45U	
7-foot Single-sided Vertical Cable Channel - black painted steel	ECCSB45U	
7-foot Single-sided Vertical Cable Channel - brushed aluminum	ECCSA45U	
7-foot Double-sided Vertical Cable Channel- brushed aluminum	ECCDA45U	
Cable Channel cover - black painted steel	ECCVRB45U <sup>a</sup>	
Cable Channel Cover - brushed aluminum	ECCVRA45U <sup>a</sup>	
Cable Keepers 3 Rack Units	ELRCK3U	
Cable Keepers 9 Rack Units	ELRCK9U	
19" Horizontal Cable Manager	ECK19H	
Horizontal and Vertical Cable Organizer	ECK19HV	ECK23HV
Horizontal Cable Manager Cover	ECKCVR19	ECKCVR23
Cable Trough - steel with black finish	ECT19	ECT23
Waterfall Top - steel with black finish	EWFT	
<b>19 in. Rack Mount Power Strips</b>		
20 Amp Surge Protected, 1200 Joule rating, 96,000 Amp Peak Current	A19P20A8S	
20 Amp Surge Protected, 640 Joule rating, 52,000 Amp Peak Current	A19P20A10	
15 Amp, 6 front and 6 rear outlets	A19P156F6R	
<b>Miscellaneous</b>		
Joining Kit - Side to Side	EJ2DR	
Panel Adapters - steel with clear zinc finish - 1 rack unit	ERB1U2319	
Panel Adapters - steel with clear zinc finish - 3 rack units	ERB3U2319	
Panel Adapters - steel with clear zinc finish - 5 rack units	ERB5U2319	
12-24 UNC Screws, silver - package of 20/package of 250	ES1224	ES1224250
12-24 UNC Screws, black - package of 20/package of 250	ES1224B	ES1224250B
Velcro Wrap - Black - 8" or 12"	ECW8B	ECW12B
Velcro Wrap, Red - 8" or 12"	ECW8R	ECW12R
Velcro Wrap, Blue - 8" or 12"	ECW8BL	ECW12BL
Velcro Wrap, Yellow - 8" or 12"	ECW8Y	ECW12Y

<sup>a</sup> Fits ECCDB45U, ECCSB45U, ECCSA45U, and ECCDA45U only.